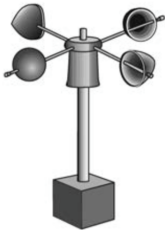
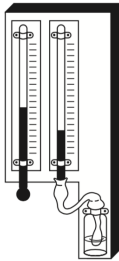
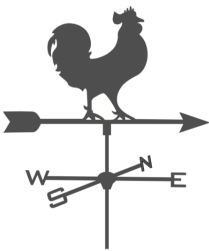
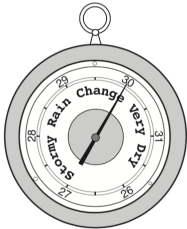
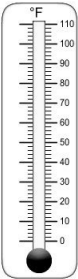
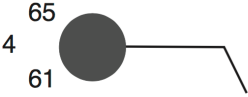
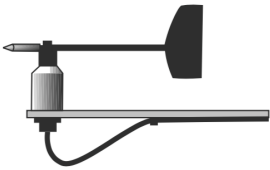
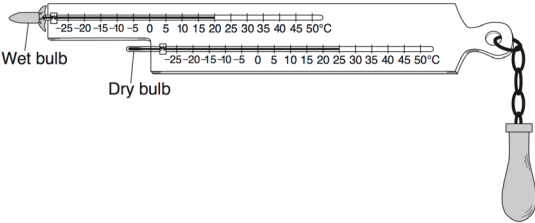


Name: _____

Date: _____ Period: _____

Supplemental: Weather Instruments II

Directions: Use your knowledge of Earth Science and your class notes to name the following weather instruments.

1. _____ 	2. _____ 	3. _____ 
4. _____ 	5. _____ 	6. _____ 
7. _____ 	8. _____ 	

Word Bank:

Station Model - Thermometer - Barometer - Sling Psychrometer
Weather Vane - Hygrometer - Weather Vane [again] - Anemometer